

4.5 Traverse Mecha Assembly Section

3

4

A

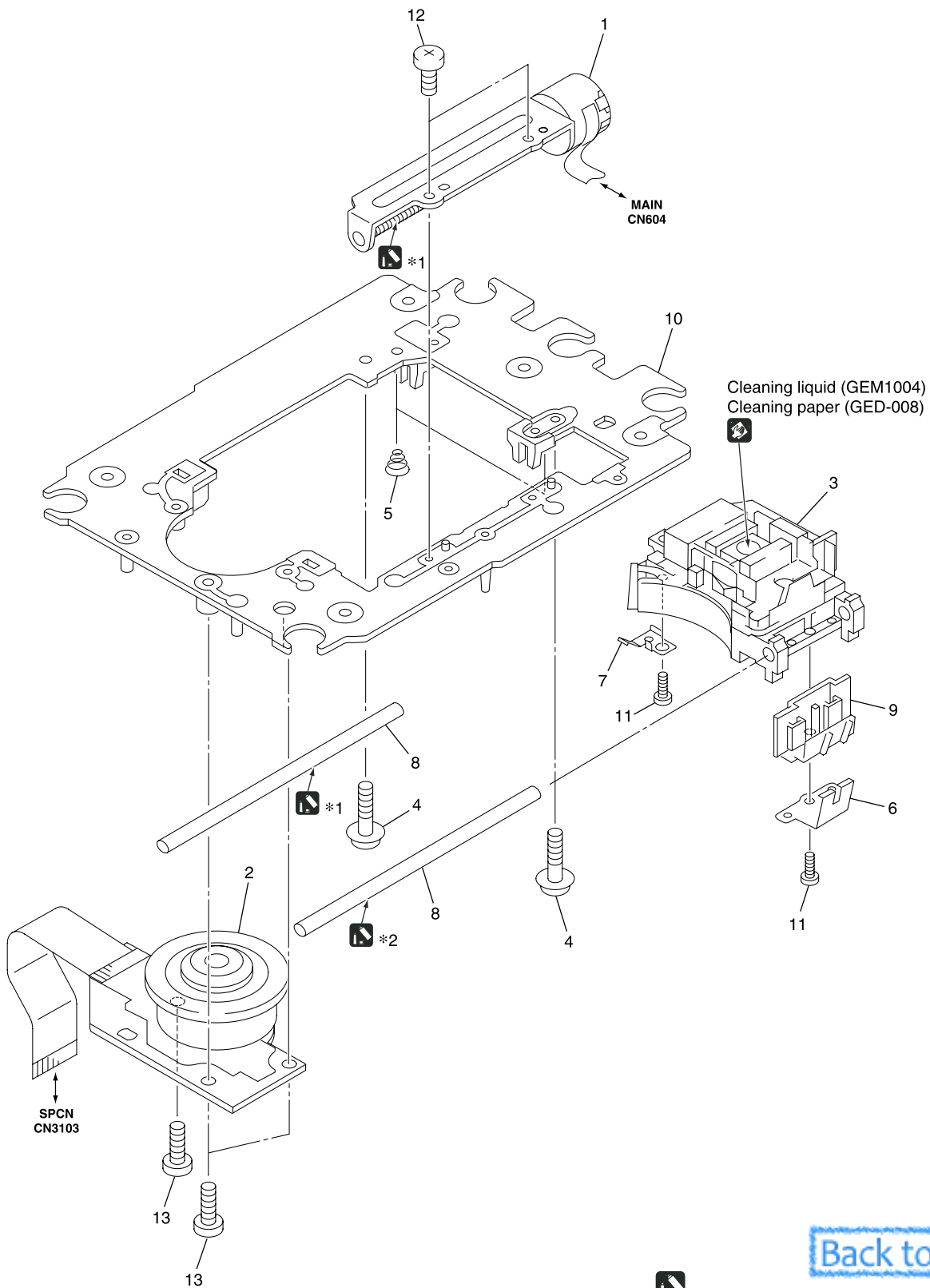
B

C

D

E

F



*1; Grease: GYA1001 (ZLB-PN397B)

*2; Grease: GEM1007 (ZLB-PN948P)

[Back to Price List](#)