

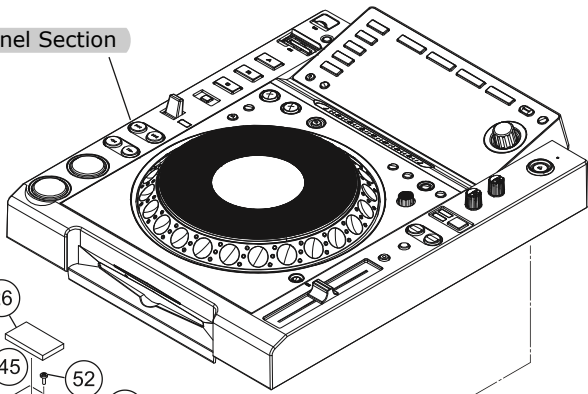
1.2 Exterior Section

3

4

A

Refer to:
1.3 Control Panel Section



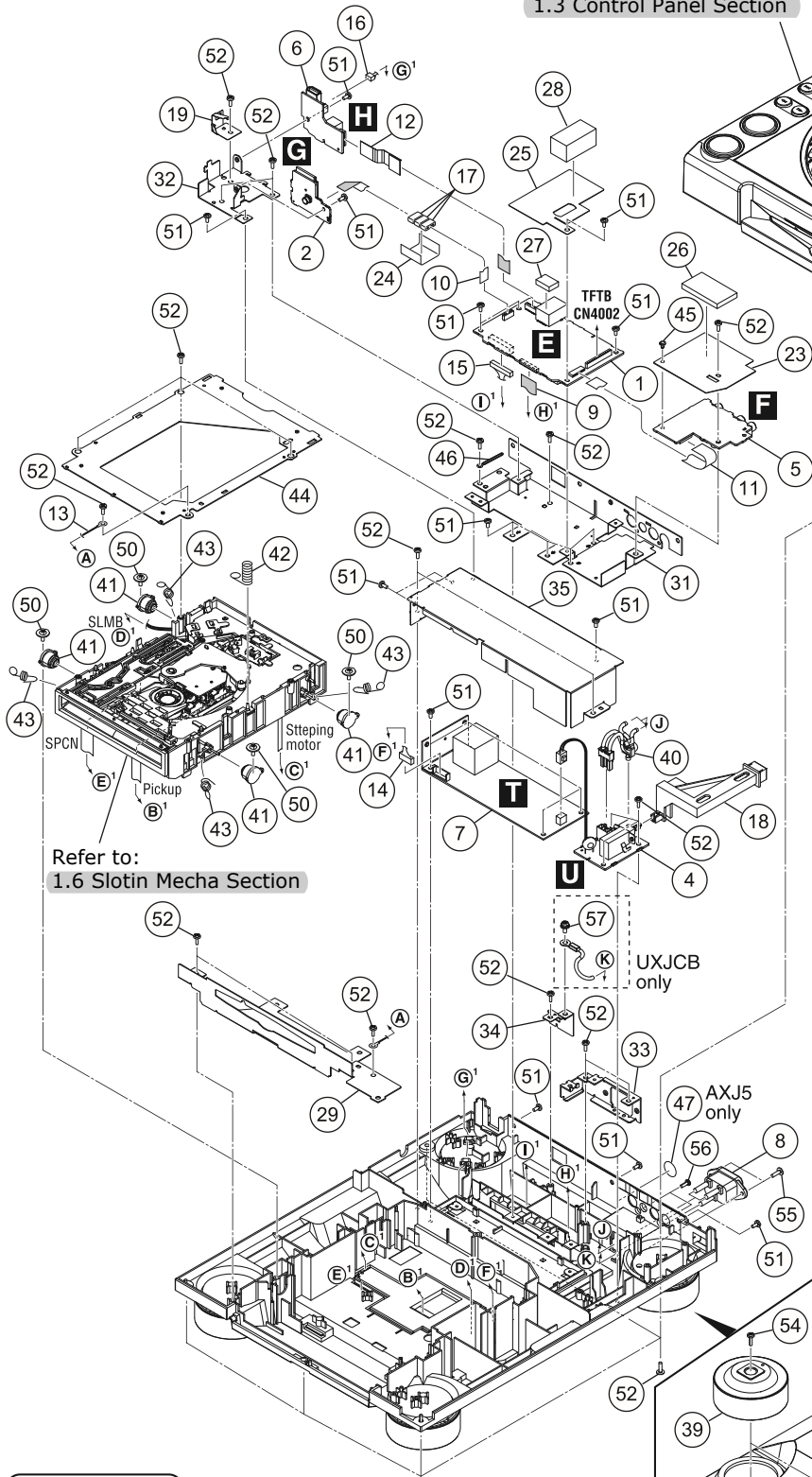
B

C

D

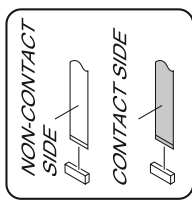
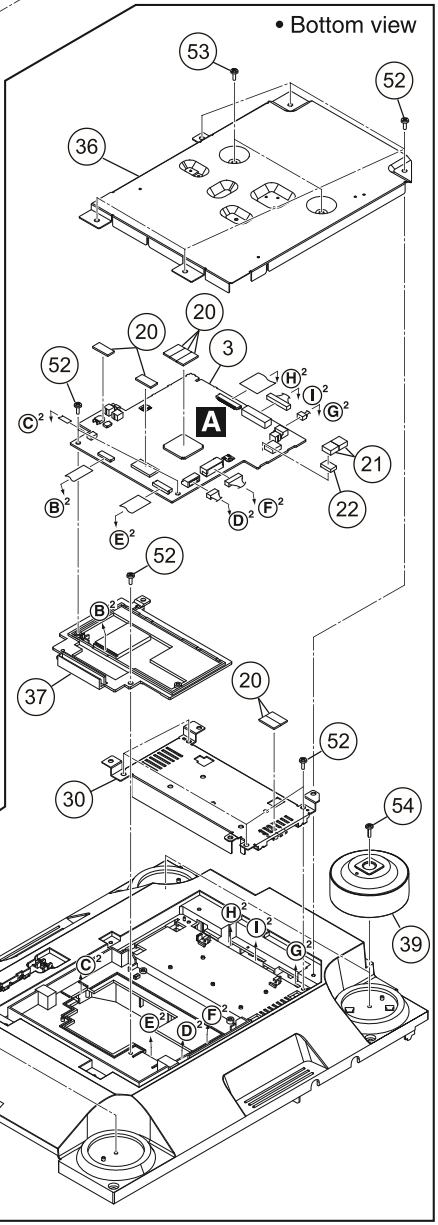
E

F



Refer to:
1.6 Slotin Mecha Section

• Bottom view



[Back to Price List](#)

1

2

3

4